

# Actuators



## Type SEK L R

Slideway

Design sizes  
20/25/32



Manual actuators for parallel positioning. These actuators are supplied with clamping plate.

### Technical data:

Type	20 SEK L R	25 SEK L R	32 SEK L R
Design type	Linear ball guide		
Positioning distance [mm]	2 x 20; 2 x 42.5; 2 x 72.5; 2 x 100	2 x 22,5; 2 x 42,5; 2 x 70; 2 x 105	2 x 22,5; 2 x 42,5; 2 x 70; 2 x 105
Pitch of threaded spindle	1.5		
Spindle dimensions	M 10 / M10 – LH		
Adm. temperature range [°C]	-10 to +70		
Mounting position	Any		
Materials	Base body, upper parts, cover: Al Spindle nuts, carrier, clamping plate: Ms58 Threaded spindle: VA		

### Weights: [gramme]

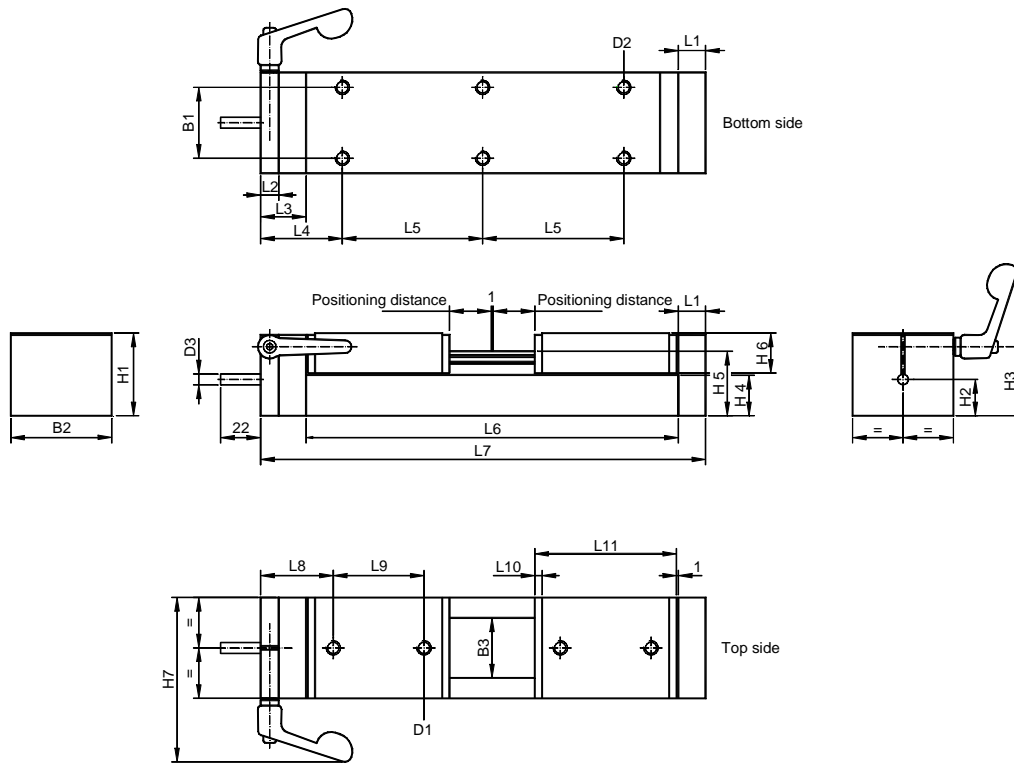
Size	Positioning distance [mm]			
	2 x 20	2 x 42,5	2 x 72,5	2 x 100
20	870			

Size	Positioning distance [mm]			
	2 x 22,5	2 x 42,5	2 x 70	2 x 105
25				
32	1740			

Delivery time on request

# Actuators

## Type SEK



### Dimensions:

Size	Pitch spindle [mm]	L1 [mm]	L2 [mm]	L3 [mm]	L4 [mm]	L8 [mm]	L9 [mm]	L10 [mm]	L11 [mm]	H1 [mm]	H2 [mm]	H3 [mm]	H4 [mm]	H5 [mm]
20	1,5	12	10	22	37	38	31	3	61	39,5	17,5	33,3	24	30
25		15		25	45	42,5	45	4	78	45,5	19	38,75	22,5	35,5
32		25	45	42,5	45	4	78	50,7	20	42,8	25,5	40,5		

Size	B1 [mm]	B2 [mm]	B3 [mm]	D1/depth [mm]	D2/depth [mm]	D3 [mm]
20	30	40,5	21,6	M6/8	M6/14	Ø 6
25	39	55,5	33	M8/7,5	M8/16	
32	49	65,5	43	M8/7,5	M8/18	

H6 [mm]	H7 [mm]
15	75,5
22	90,5
24	100,5

Size	20				25 / 32			
Pos. dist.	2x20 mm	2x42,5 mm	2x72,5 mm	2x100 mm	2x22,5 mm	2x42,5 mm	2x70 mm	2x105 mm
L5	67,5	90	120	147,5	82,5	102,5	130	165
L6	165	210	270	325	205	245	300	370
L7	199	244	304	359	245	285	340	410