

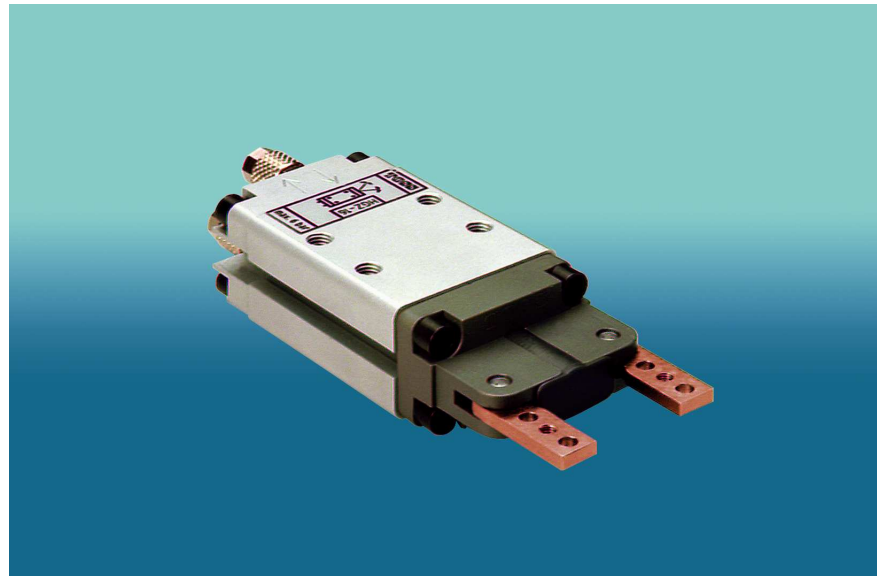
Gripper

TOSS®

Type HGZ

Angular Gripper

Ø 16 mm



This angular gripper has a high gripping force. It is double-acting and can be used as inside or outside gripper. It is used to grip and hold load capacities. The holding force should be 10 to 20 times the part weight.

The gripper jaws which are forced-controlled by a piston rod are moved simultaneously and centred, so that the gripping moment is kept constant over the whole opening and closing angle. The two air connections (M5) are located on the face opposite the grippers. Detection by way of proximity switches is also possible.

Technical data:

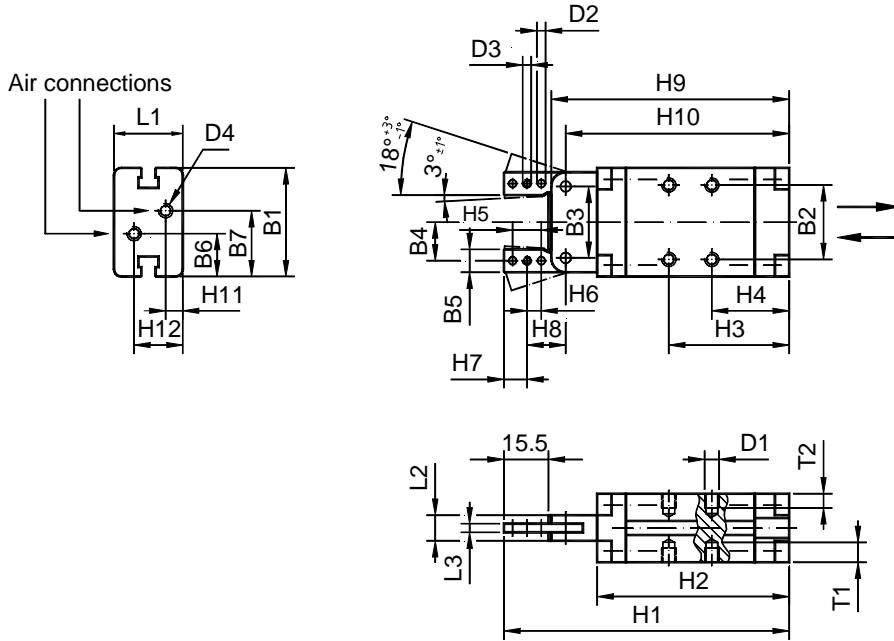
Type	HGZ - 16	
Design type	Angular gripper	
Piston diameter [mm]	16	
Aperture angle per jaw	20°	
Adm. temperature range [°C]	-10 to +70	
Medium	Filtered, oiled or non-oiled compressed-air (min. fineness 40 µm)	
Compressed-air [bar]	min. 2 ... max. 6	
Working frequency max.	3 Hz (180/min.)	
Mounting position	Any	
Repeatability [mm]	± 0.1	
Weight [gramme]	200	
Max. gripping force at 6 bar and holding point 10 mm [N] (external gripping)	Closing	30
	Opening	45
Materials	Housing: Al, gripper head: Al (hard coated), Gripper: X 210 Cr W 12 (gunmetal finish) Piston, seals: NBR Cylinder barrel: Ms 63, cover: PA 6	

Delivery time on request

Gripper



Type HGZ-16



Dimensions:

Type [mm]	B1 [mm]	B2 [mm]	B3 [mm]	B4 [mm]	B5 [mm]	B6 [mm]	B7 [mm]	D1	D2 [mm]	D3 [mm]	D4 [mm]
Tolerance	±0,1	±0,1	±0,02								
Fit									H7		
HGZ-16	38	26	25	13,5	8	15	23	M 5	3	M 3	M 5

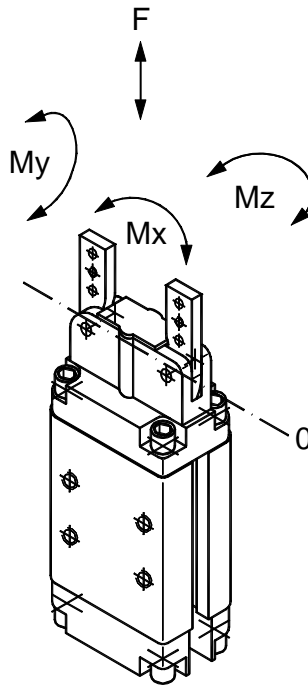
Type [mm]	H1 [mm]	H2 [mm]	H3 [mm]	H4 [mm]	H5 [mm]	H6 [mm]	H7 [mm]	H8 [mm]	H9 [mm]	H10 [mm]	H11 [mm]	H12 [mm]
Tolerance								±0,05				
Fit												
HGZ-16	99,5	67	42	27	10	5	8	13,5	83	78	6	17

Type [mm]	L1 [mm]	L2 [mm]	L3 [mm]	T1 [mm]	T2 [mm]
Tolerance	±0,1		-0,03 -0,05		
Fit					
HGZ-16	24	9	3	7	5

Gripper



Type HGZ



Load values of gripper jaws:

Load	F	Mx	My	Mz
Static	[N]	[Nm]	[Nm]	[Nm]
HGZ-16	23	0,8	0,2	0,4

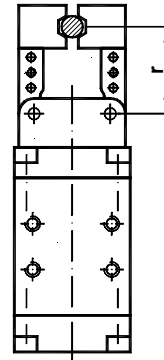
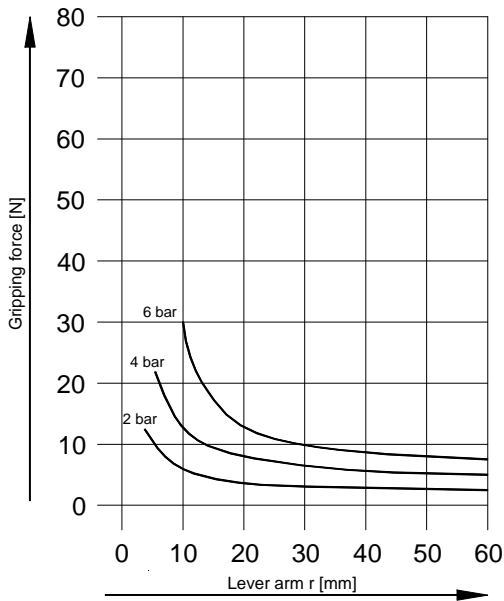
The forces and torque values specified in the table may not be exceeded. When calculating the torque values the 0-position shown in the figure should be taken into account.

Gripper



Load diagrams for angular gripper type HGZ-16

External gripping (close)



Internal gripping (open)

